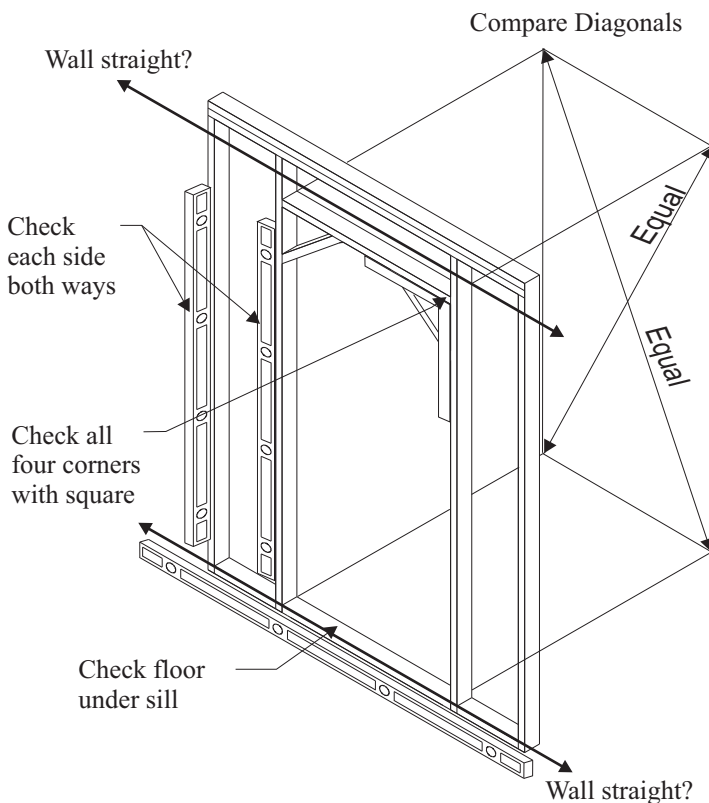


# Pre-hung Rustic Arch/Radius Installation Instructions

## 1 CHECK AND PREPARE OPENING

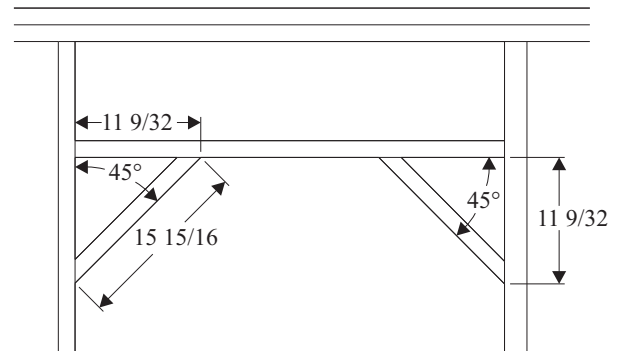
- Is subfloor level and solid? Provide a flat, level clean bearing surface so the sill may be caulked and sealed to the opening. Scrape, sand, or fill as required.
- Shim subfloor for floor covering clearance if required. If shimming, caulk under shims.
- Is opening square? Check all corners with a framing square. Double-check by comparing diagonal measurements. Fix any problems now.
- Are framing and walls plumb? Use a 6-foot level and check both sides of opening, both ways. Fix any problems now.
- Are the wall surfaces around the opening on the same plane? There must be no “warps” or “jogs”. Fix any problems now.
- Is opening correct size? Check it against door frame size now before installation. Opening should be frame height plus  $\frac{1}{2}$ " and frame width plus  $\frac{1}{2}$ " to 1".



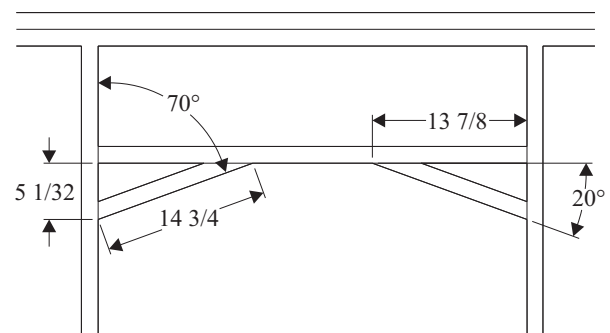
## 2 SUPPORT FRAME CONSTRUCTION

Build support framing at top for radius/arched top head jamb as shown below

### Radius Top Head Jamb



### Arch Top Head Jamb

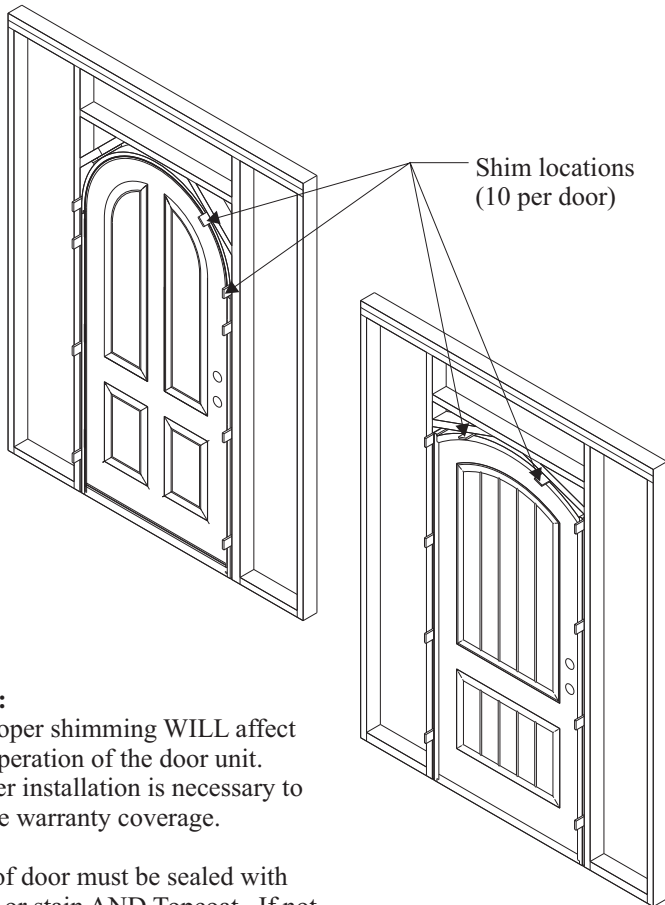


Refer to MSDRIST for all other Pre-Hanging Instructions

# Pre-hung Rustic Arch/Radius Installation Instructions

## 3 SHIM BEHIND JAMBS, THEN ADJUST THE REST OF THE FRAME

- Go through another opening to work on swing side of door
- Leave door fastened closed with transport clip
- Shim at the indicated areas in the figure; Shim behind each hinge, shim at the angled framing members at the top, and shim side areas as shown
- Recheck hinge jamb with a 6-foot level to ensure it is plumb and straight
- Adjust frame so the frame face is flush with door face all around
- Secure hinge jamb from the other side of the door. Set nails or finish driving screws directly below shims
- Due to varying dimensions of mouldings, there may be a gap at the miter of the brick moulding where the radius/arch piece of the head meets the straight leg of the side. This is expected and should be caulked prior to painting.



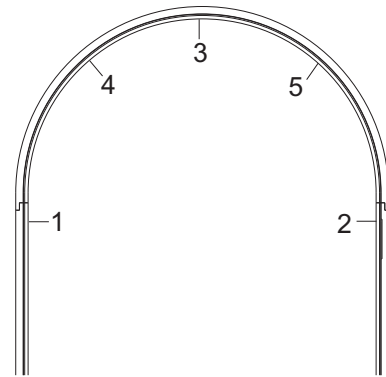
**Note:**  
Improper shimming WILL affect the operation of the door unit. Proper installation is necessary to insure warranty coverage.

Top of door must be sealed with paint or stain AND Topcoat. If not finished the door warranty is VOID!

## 4 SCREW INSTALLATION

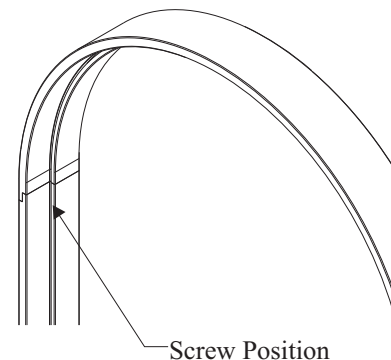
### Special Instructions For Radius Top Head Jambs:

- Use #10 x 2" wood screws
- Install screws in the order shown below.
- Shims are required at all screw locations to control the final shape of the radius and to allow for the correct margins around the door.



### For Both Radius Top Head Jambs:

- Use #10 x 2" wood screws
- Position all screws in the location shown below. The screws must be positioned such that the weather-strip hides the screw heads.



### Warning :

Modification or machining of this product can release wood dust, a substance know to the State of California to cause cancer.

Refer to MSDRIST for all other Pre-Hanging Instructions

Part#: MSDRARRADIST65 REV. B

© Copyright 2011 Therma-Tru Corporation.  
Therma-Tru Doors is an operating company of Fortune Brands, Inc.

3/2011