

# Therma-Tru Door Gallery Setup Instructions

## Swing Unit - Hardware

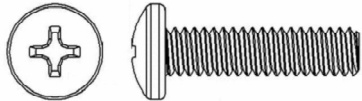
Part # MADGSWU10

Tools Included: 4mm, 6mm and 8mm Allen Wrenches

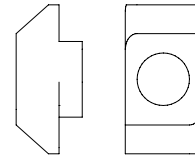
Tools Required: Phillips Screwdriver, Power Driver with phillips bit, Adjustable wrench and 6ft Ladder

(2) People required for assembly

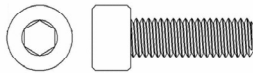
(4) - 1/4-20 x 1"  
Panhead Machine Screws



(8) - M8 T-block



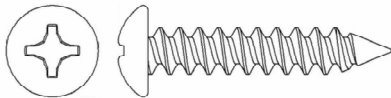
(16) - M5 x 16mm Sockethead  
Cap Screws



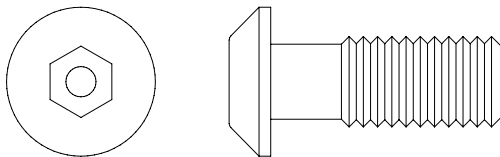
(4) - M5 Locknut



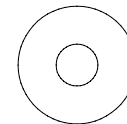
(32) - #14 x 1.25"  
Panhead Wood Screws



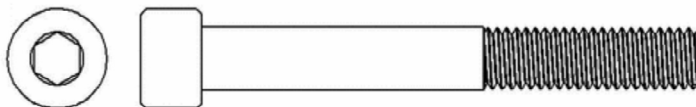
(8) - M12 x 30mm  
Sockethead Cap (pre-installed)



(8) - 5mm Fender Washer



(8) - M8 x 65mm Sockethead Cap Screws

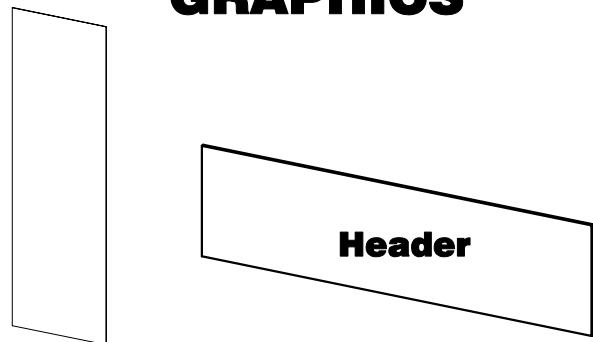


# Therma-Tru Door Gallery Setup Instructions

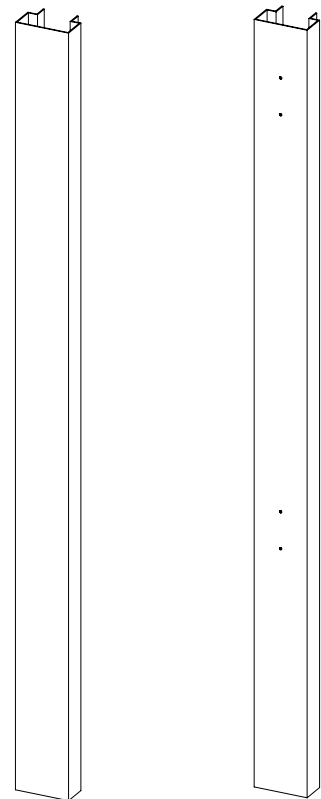
## Swing Unit - Components

Part # MADGSWU10

### GRAPHICS

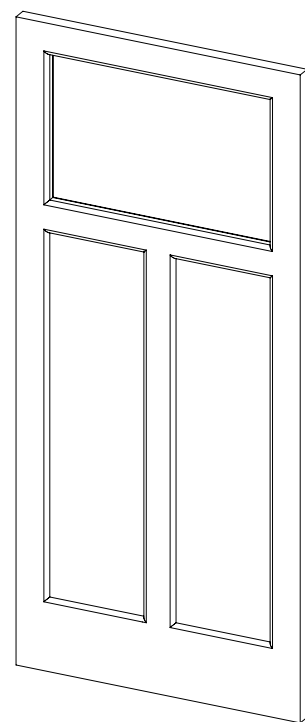


**Spinner Graphic**  
(4) Included

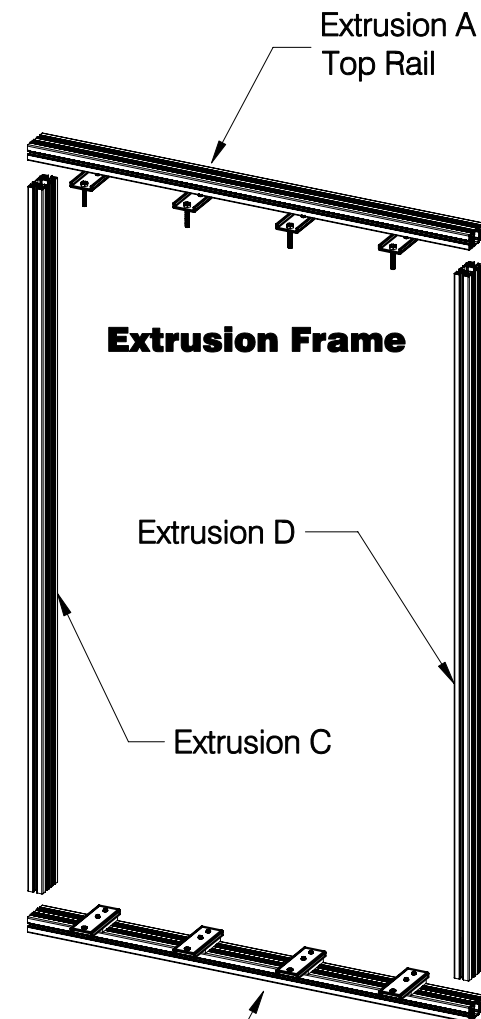


**Column**  
with logo  
(shown folded - ships flat)

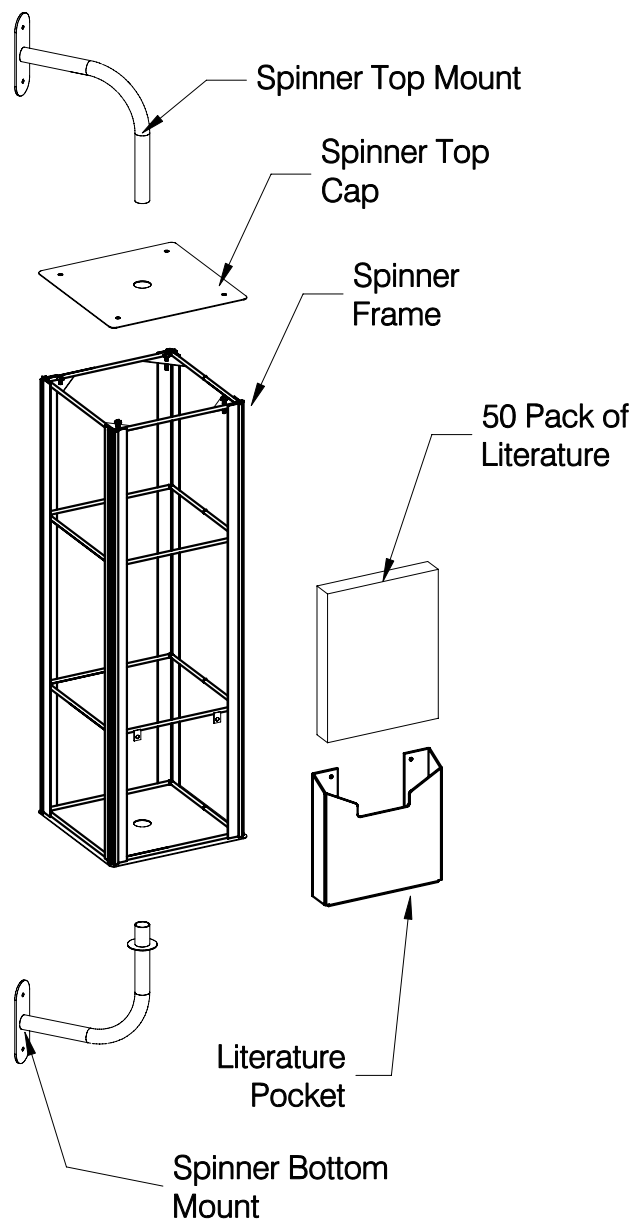
**Column**  
with holes for  
Graphic Spinner  
(shown folded - ships flat)



**Slab Door**  
(4) Required  
(Order Separately)



**Extrusion Frame**



Spinner Top Mount

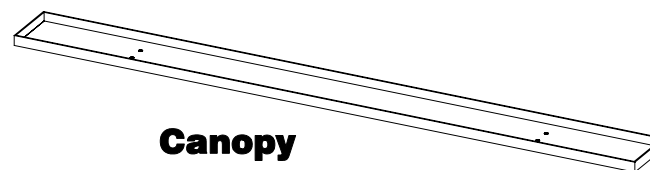
Spinner Top Cap

Spinner Frame

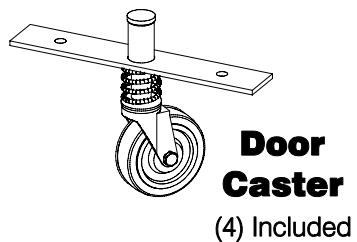
50 Pack of Literature

Literature Pocket

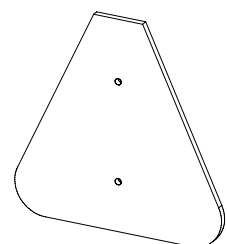
Spinner Bottom Mount



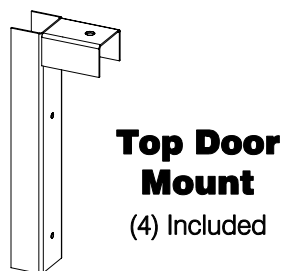
**Canopy**  
(shown folded - ships flat)



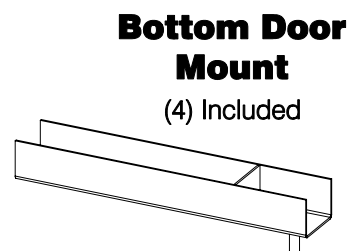
**Door Caster**  
(4) Included



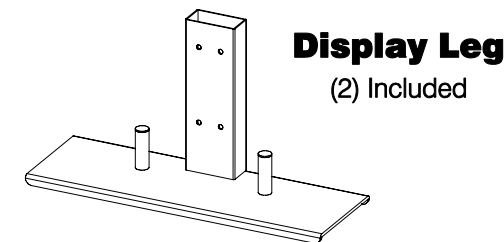
**Door Bumper**  
(4) Included



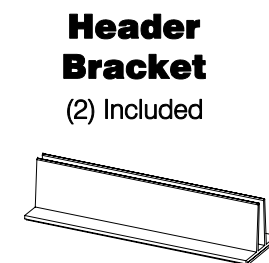
**Top Door Mount**  
(4) Included



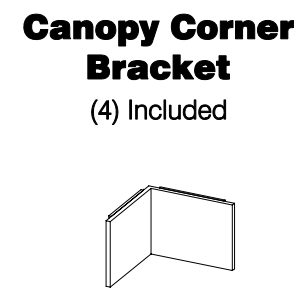
**Bottom Door Mount**  
(4) Included



**Display Leg**  
(2) Included



**Header Bracket**  
(2) Included



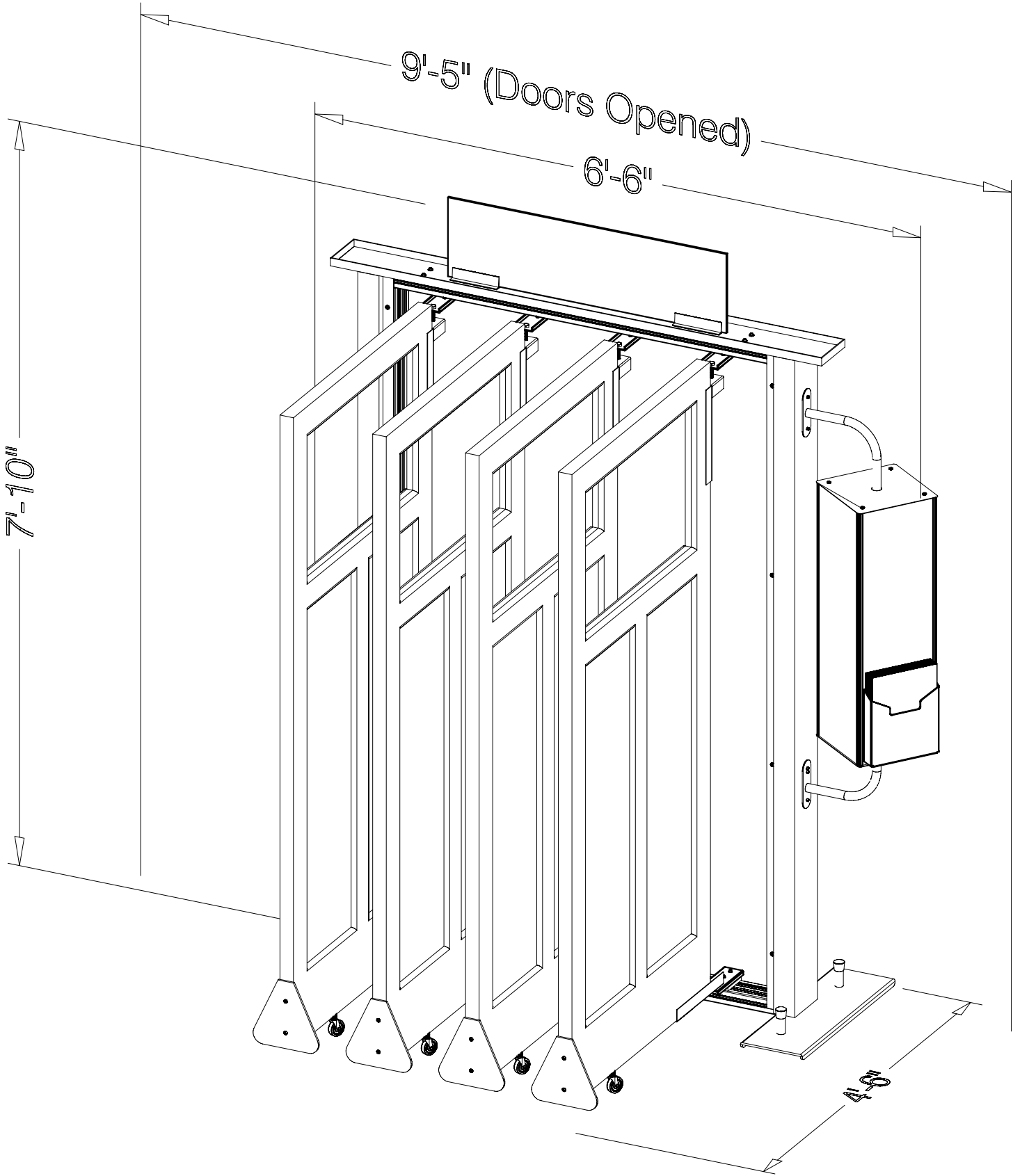
**Canopy Corner Bracket**  
(4) Included

# Therma-Tru Door Gallery Setup Instructions

## Swing Unit - Setup

Part # MADGSWU10

Display Preparation: Display location requires level floor.

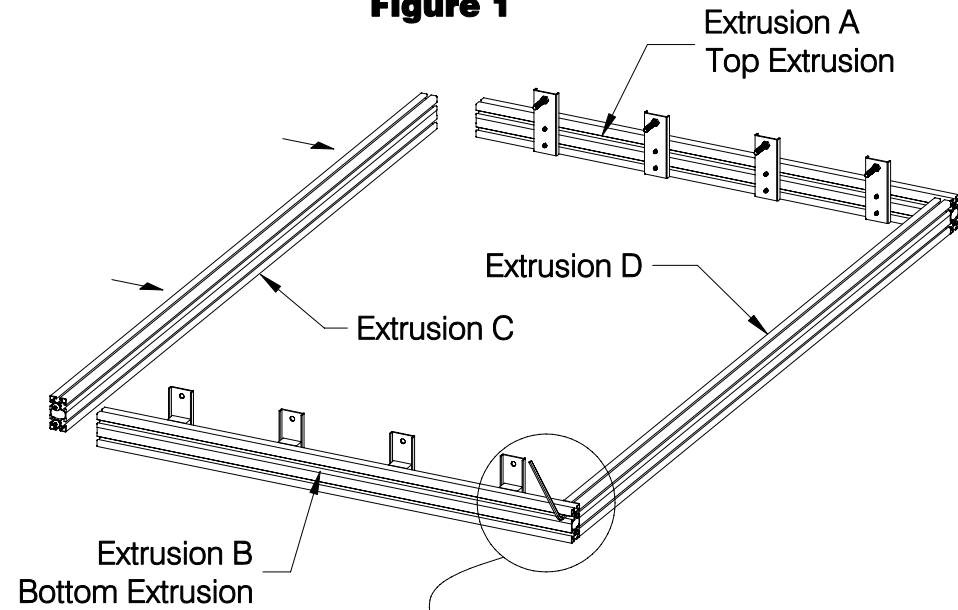


# Therma-Tru Door Gallery Setup Instructions

## Swing Unit - Setup

Part # MADGSWU10

**Figure 1**



**Step 1:** Begin laying out frame components on floor so that all top and bottom extrusions have brackets facing up. The (2) vertical extrusions will be labeled "top" and "bottom", which need to match with the top and bottom extrusions as shown in Figure 1.

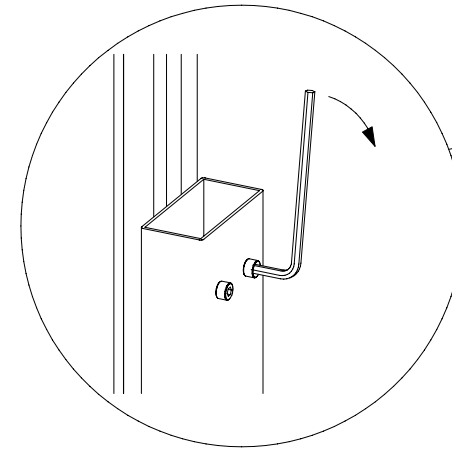
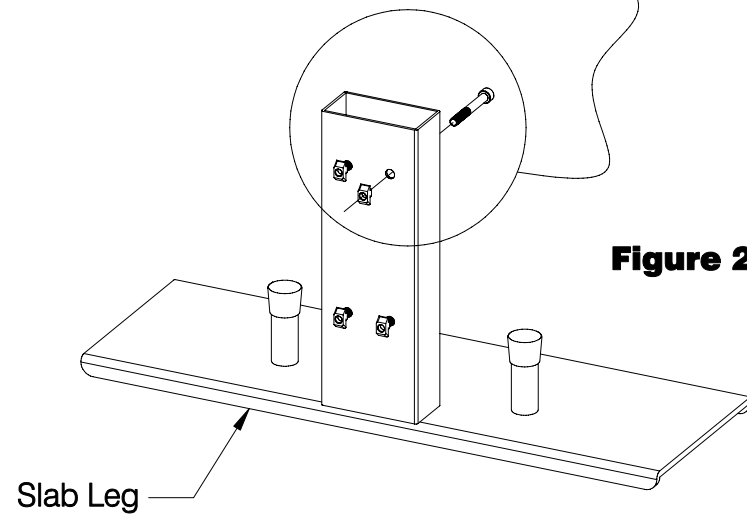
**Step 2:** Slide extrusions "C" and "D" into top and bottom extrusions from each end. See Figure 1.

**Step 3:** Insert 8mm allen wrench provided through holes in top and bottom extrusions to tighten the ends of extrusions C and D. See Figure 1.

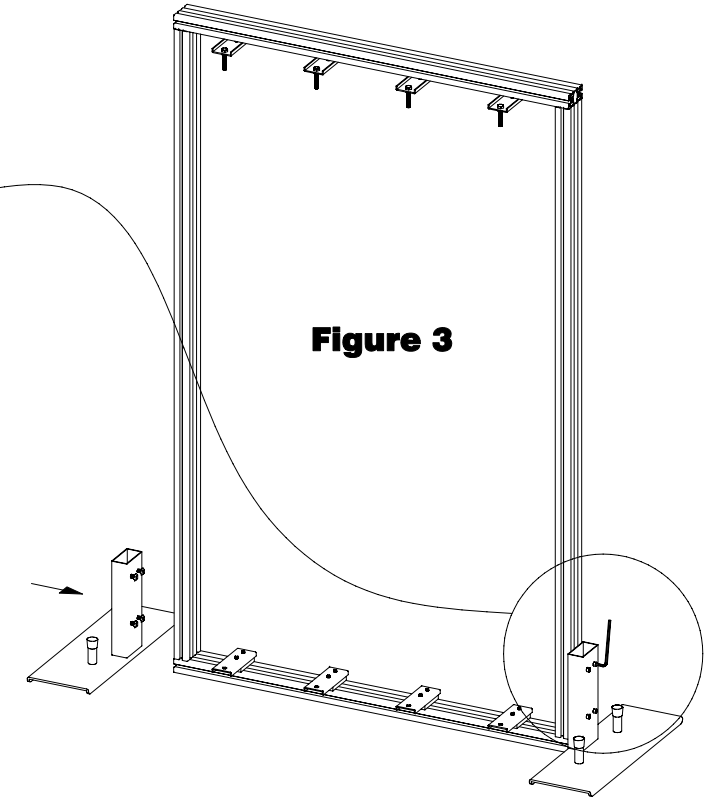
**Step 4:** Insert (4) M8 x 65mm bolts through holes of slab leg as shown in Figure 2. Partially thread (2 turns) (1) T-Block on the end of each bolt. Be sure T-blocks are facing top to bottom. Repeat for remaining slab leg. See Figure 2.

**Step 5:** Move slab legs to the bottom of each end of framing assembled in Step 1. Stand framing assembly upright making sure the bottom extrusion is on the ground. Slide slab legs into extrusion slots. Once in place, tighten bolts with 6mm allen wrench provided. Once bolts are snug, tighten one more revolution. **DO NOT** over tighten. Repeat for opposite side. See Figure 3.

**Figure 2**



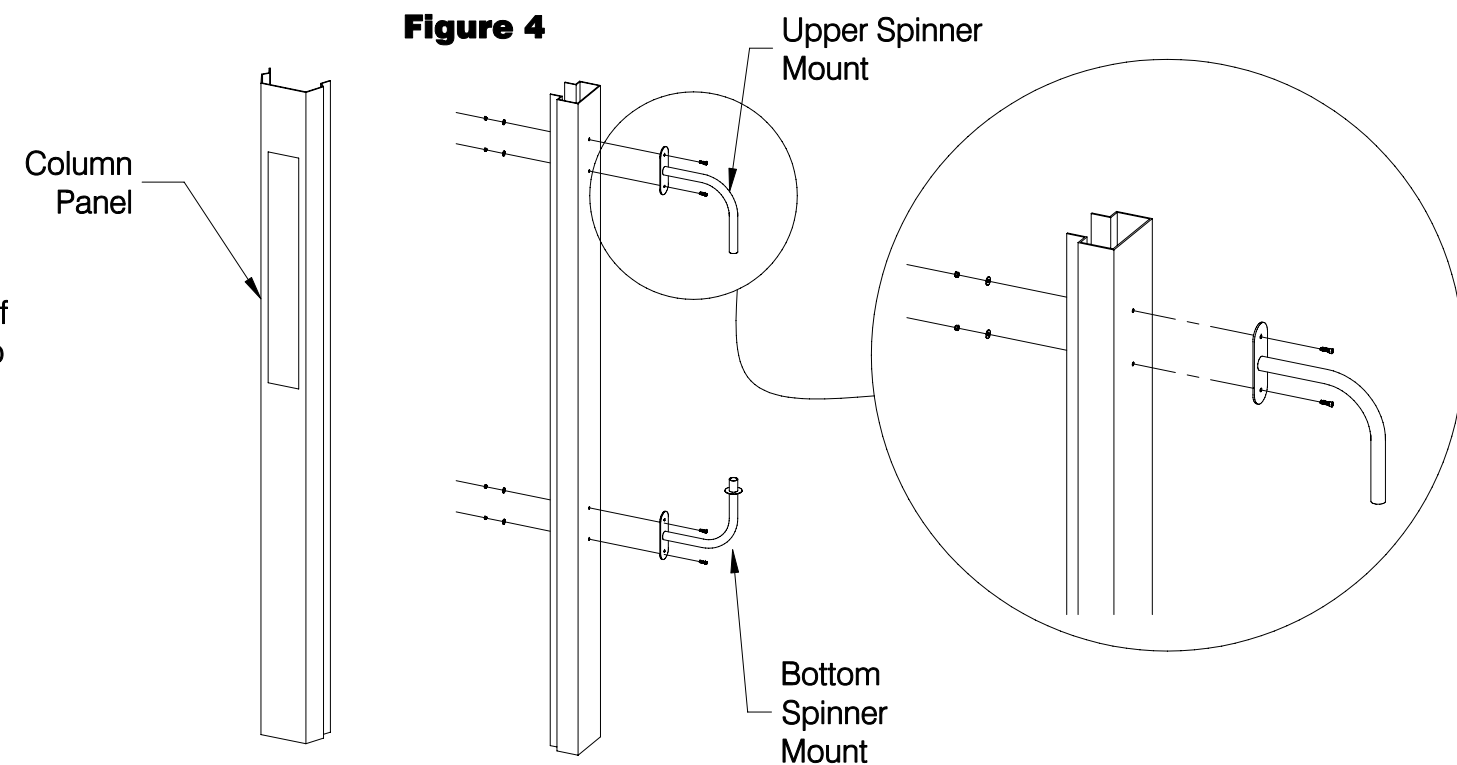
**Figure 3**



**Step 6:** Remove protective lining from both sides of column panels. Fold panels into shapes shown in Figure 4.

**Step 7:** Fasten top and bottom spinner mounts to column that has pre-drilled holes. Each mount will fasten with (2) M5 x 18mm socket head bolts, (2) M5 fender washers and (2) M5 lock nuts. See Figure 4.

**Figure 4**



# Therma-Tru Door Gallery Setup Instructions

## Swing Unit - Setup

Part # MADGDSU10

**Step 8:** Lift column panel up over entry leg, slide column over framing then carefully lower column until it rests on slab leg. See Figure 5.

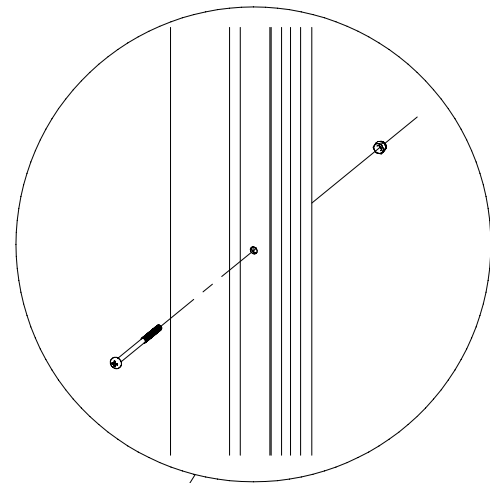
**Step 11:** Remove tape liner from both pieces of tape on canopy corner bracket. Secure corner bracket to the inside of each canopy corner being sure the edges meet smoothly. See Figure 6.

**Step 9:** Fasten column to framing using (4) 1/4-20 x 4" panhead bolts and (4) acorn nuts. Repeat steps 8 and 9 for remaining column. See Figure 5.

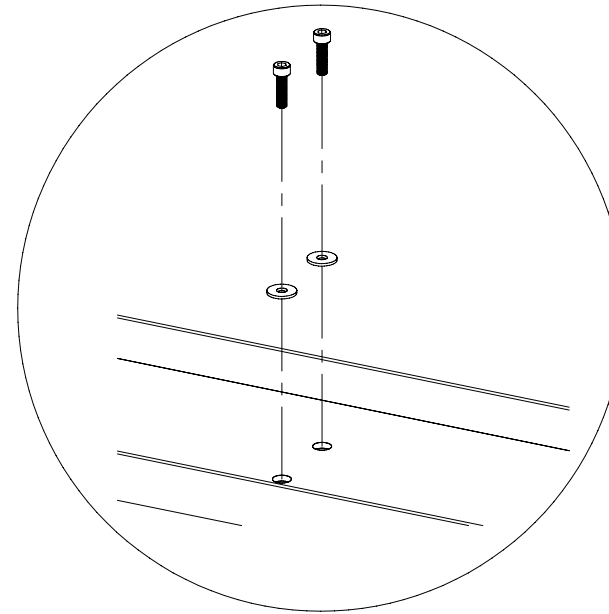
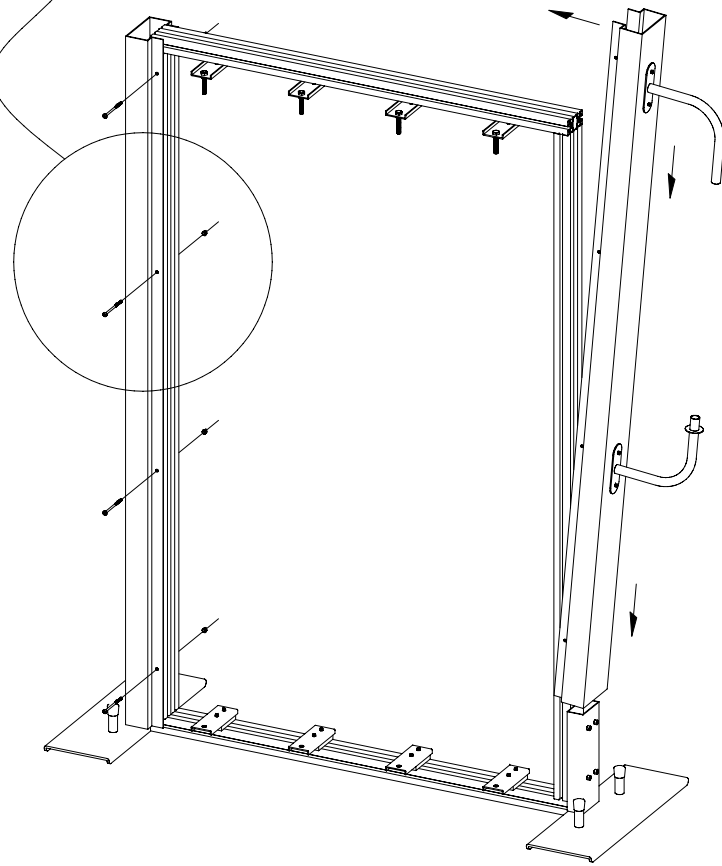
**Step 12:** Place canopy on top of frame assembly. Attach canopy to top of frame using (4) M5 x 16mm socket head cap bolts with (4) M5 fender washers. See Figure 7.

**Step 10:** Remove protective liner from canopy panel. Fold edges up until they meet each other. See Figure 6.

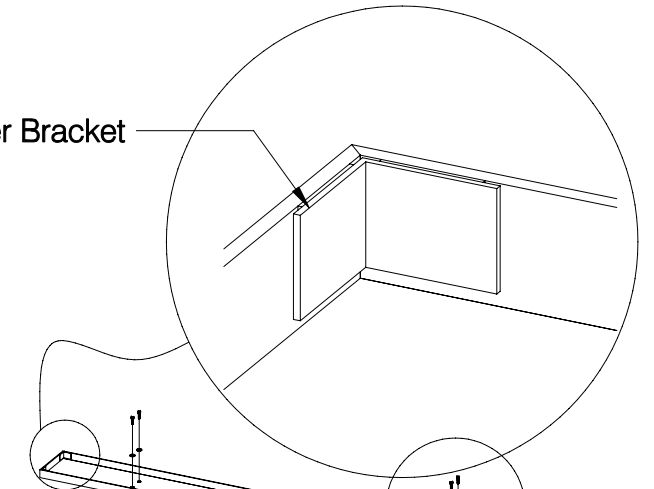
**Step 13:** Attach header brackets to bottom of header by firmly pressing into place. See Figure 8.



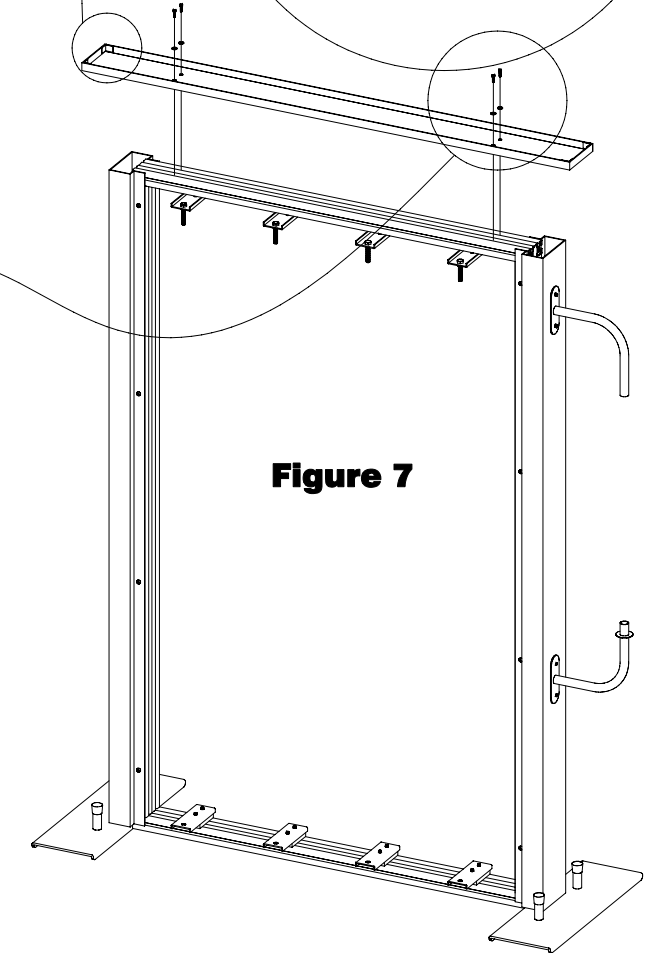
**Figure 5**



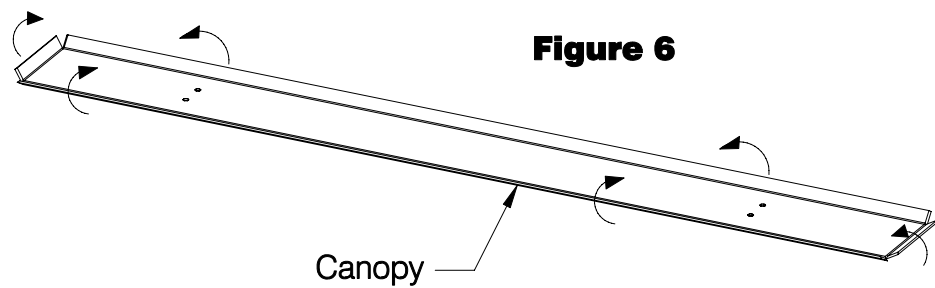
Corner Bracket



**Figure 7**

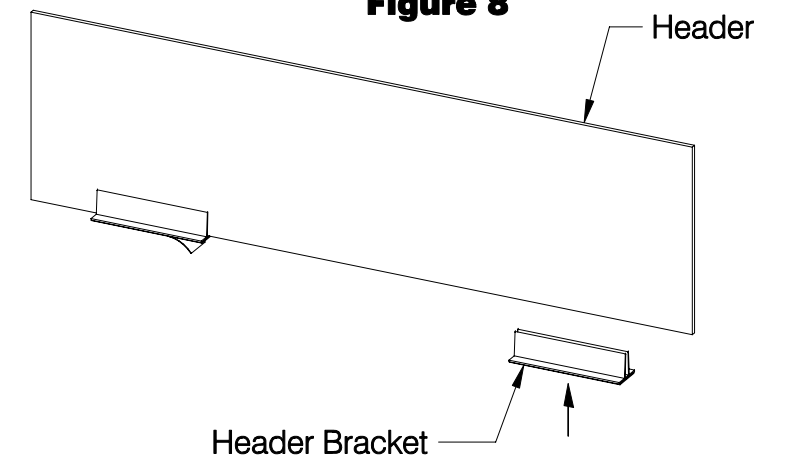


**Figure 6**



Canopy

**Figure 8**

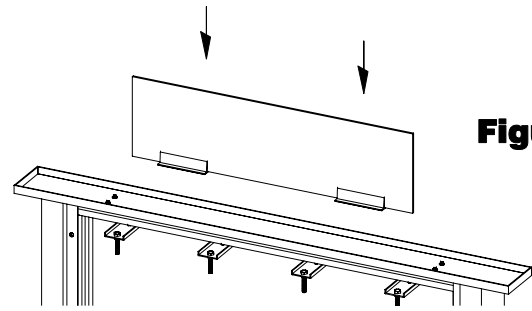


Header

Header Bracket

# Therma-Tru Door Gallery Setup Instructions Swing Unit - Setup

Part # MADGDSU10



**Figure 9**

**Step 14:** Remove liner from tape on header brackets.

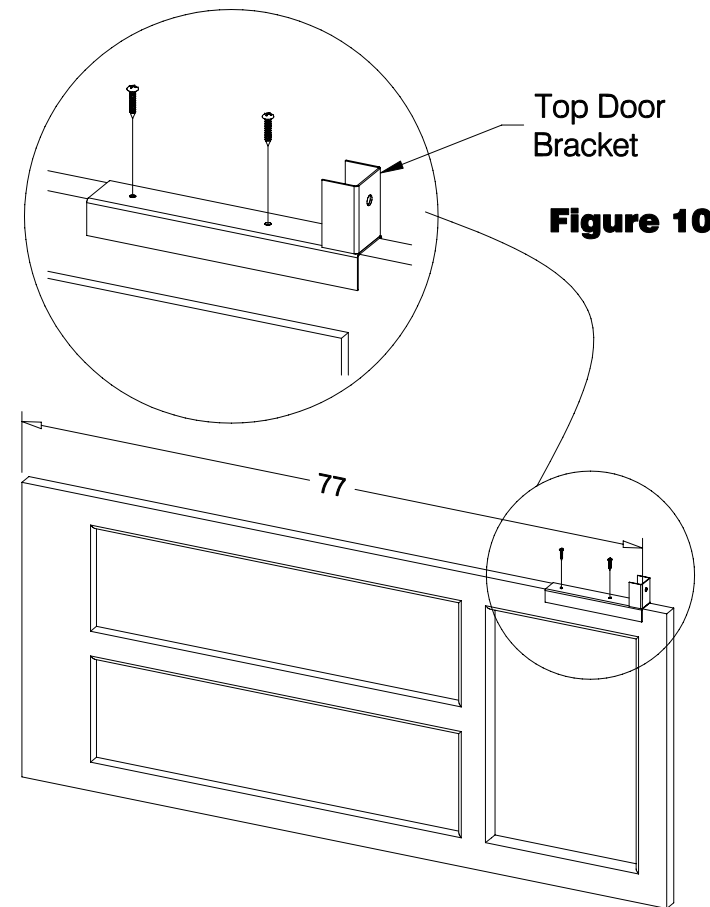
**Step 15:** Center header on top of canopy and press firmly to attach. See Figure 9.

**Step 16:** Remove slab door from packaging and place on floor with front edge down.

**Step 17:** While someone holds the slab door, center top door bracket on back edge of door with the top of bracket 77" from bottom edge of door. See Figure 10.

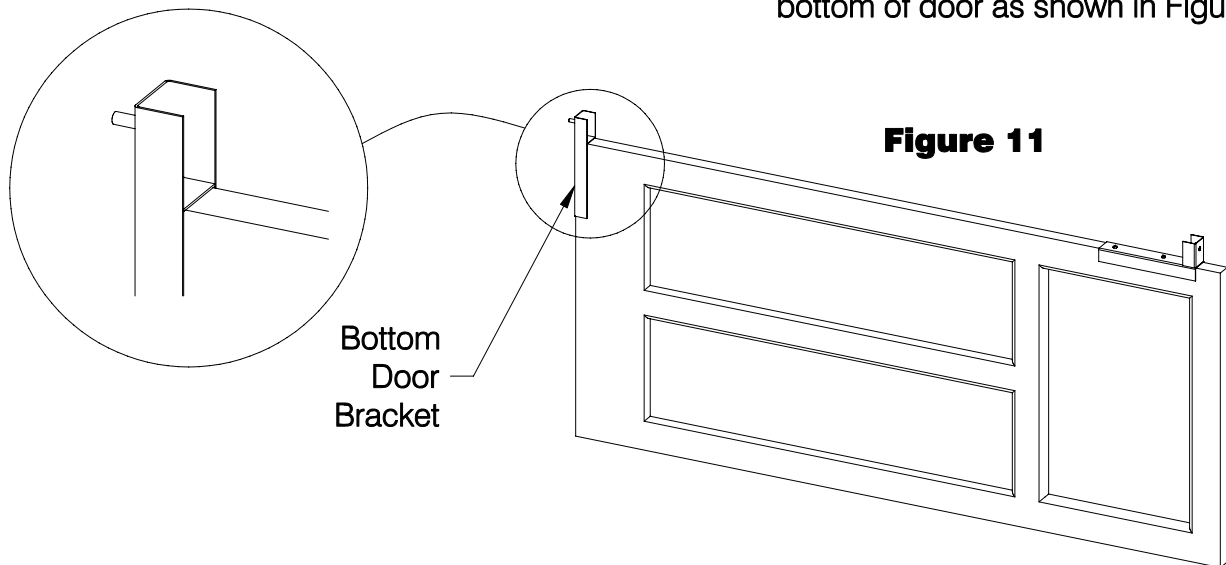
**Step 18:** With top bracket being held in place, drill (2) 7/32" pilot holes using bracket as template. Fasten bracket to door using (2) #14 x 1.25" panhead screws. See Figure 10.

**Step 19:** Center bottom door bracket on bottom of door as shown in Figure 11.



Top Door Bracket

**Figure 10**



Bottom Door Bracket

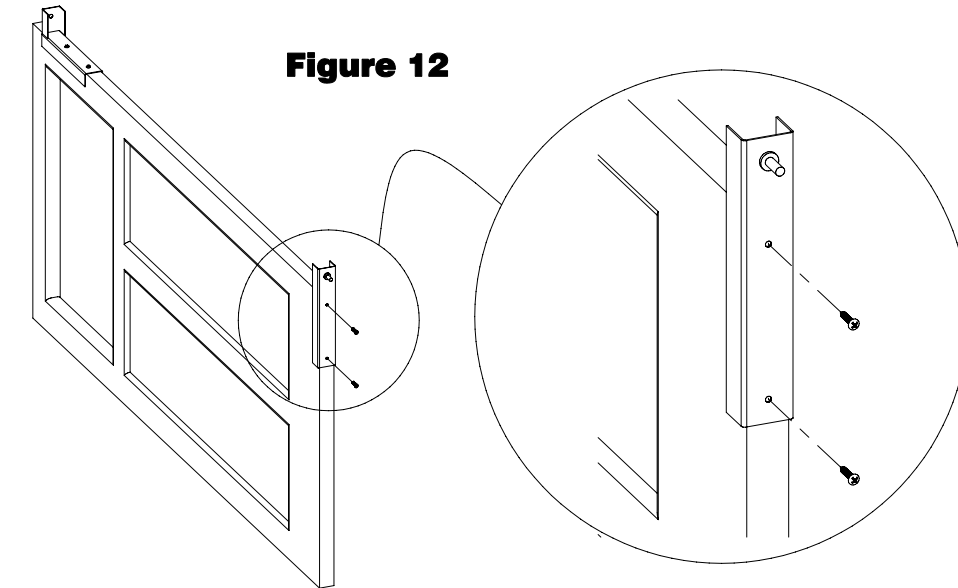
**Figure 11**

**Step 20:** With bottom bracket held in place, drill (2) 7/32" pilot holes using bracket as a template. Attach bracket to bottom of door using (2) #14 x 1.25" panhead wood screws. See Figure 12.

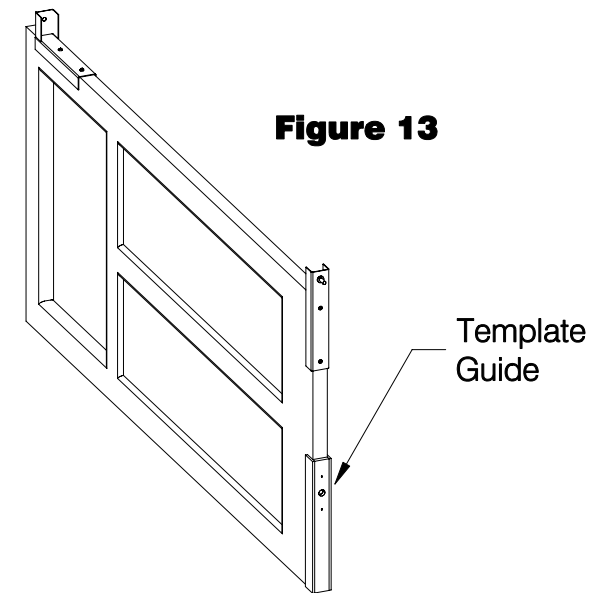
**Step 21:** Place hole template guide over bottom of door so that edge of guide is resting against floor. See Figure 13.

**Step 22:** Keeping template in place, drill center hole 1.5" deep, using included 3/4" drill bit then drill (2) 7/32" pilot holes 1" deep using smaller holes in guide. See Figure 13.

**Step 23:** Remove guide template and attach caster to previously drilled holes using (2) #14 x 1.25" panhead wood screws. See Figure 14.

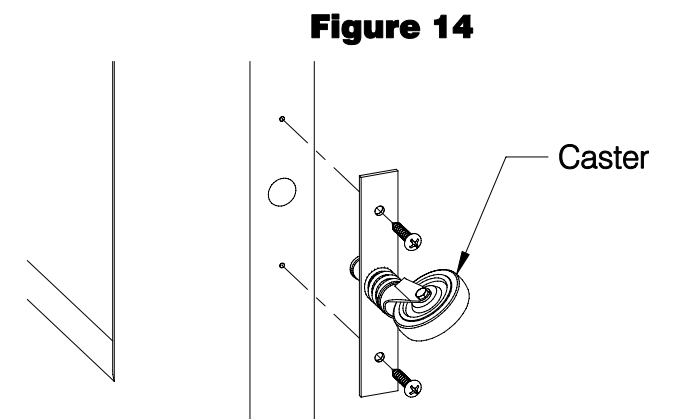


**Figure 12**



**Figure 13**

Template Guide



**Figure 14**

Caster

